

# Classis GM 115

Gooseneck Microphone

Order # 729.752



## FEATURES

- Cardioid polar pattern with a high gain before feedback
- Filter to suppress wind or pop noise
- Non-glare surface
- With LED ring
- Connection via 5-pin XLR male connector
- Rigid tube with two flexible goosenecks
- Length 500 mm

## DESCRIPTION

The Classis GM 115 gooseneck microphone is fitted with a 5-pin male connector and suitable for different applications.

The microphone features a cardioid polar pattern with a high gain before feedback. In order to suppress wind or pop noise, there is a switchable low-cut filter on the circuit board.

The microphone is mounted on a 6 mm thick gooseneck and due to its matt black, non-glare surface it discreetly blends into any environment. An LED ring indicates the ready-to-speak status of the microphone.

The microphone can be powered with any phantom power source supplying 12 to 48 V.

The microphone is supplied with a foam wind shield.

## OPTIONAL ACCESSORIES

GMB 35 S	Microphone base with button, 5-pin female XLR connector for gooseneck microphones with LED ring . . . . .	Order # 725.188
GMS 52	Shock-mounted holder for table installations, 5-pin female XLR connector, black . . . . .	Order # 729.434
GMS 52 w	same as above, but white . . . . .	Order # 729.779
ZSH 20	Shock-mounted holder for installations . . . . .	Order # 454.559
WS 305 B	Wind shield, black . . . . .	Order # 728.985

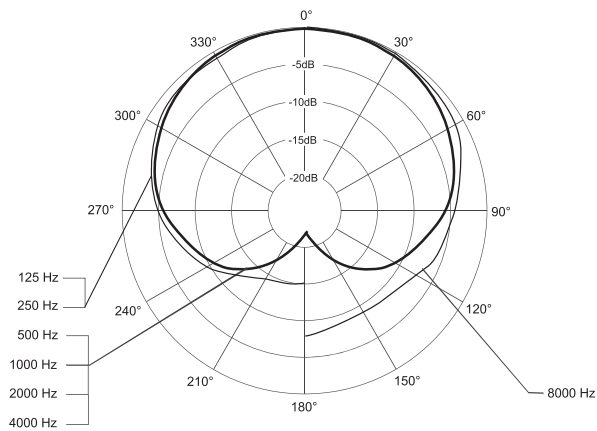
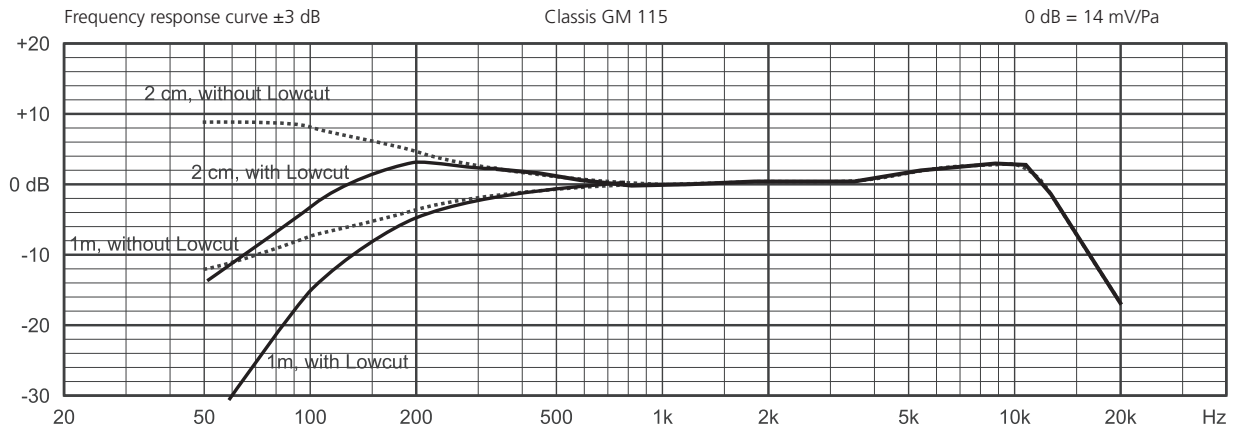
## TECHNICAL SPECIFICATIONS

Transducer type . . . . .	Condenser (electret)
Operating principle . . . . .	Pressure gradient
Polar pattern . . . . .	Cardioid
Frequency response	
Close miking . . . . .	70 – 16,500 Hz
Distant miking (distance 1 m) . . . . .	150 – 16,500 Hz
Open circuit voltage . . . . .	14 mV/Pa = -37.1 dBV ±3 dB
Nominal impedance . . . . .	250 Ω
Max. SPL . . . . .	124 dB [SPL @ 1% THD]
Signal-to-noise ratio . . . . .	64 dB [A, rms]
Equivalent SPL . . . . .	30 dB [A, rms]
Power supply . . . . .	Phantom power P12 – P48
Power supply LED . . . . .	5 V/4.5 mA, 10 V/22.5 mA
Power consumption	
without LED . . . . .	2.3 mA
Power consumption LED at 5 V	
+ microphone . . . . .	6.8 mA
Power consumption LED at 10 V	
+ microphone . . . . .	24.8 mA
Microphone connection . . . . .	5-pin XLR (male)
Head diameter with pop shield . . . . .	approx. 25 mm [0.98"]
without pop shield . . . . .	14 mm [0.55"]
Gooseneck diameter . . . . .	top approx. 6 mm [0.24"]
	bottom approx. 8 mm [0.32"]
Total length . . . . .	516 mm [20.31"]
Weight . . . . .	150 g [5.29 oz]

# Classis GM 115

## FREQUENCY RESPONSE & POLAR PATTERN

This polar pattern and frequency response curve (measuring tolerance  $\pm 3$  dB) correspond to a typical production sample for this microphone.



## WIRING DIAGRAM

