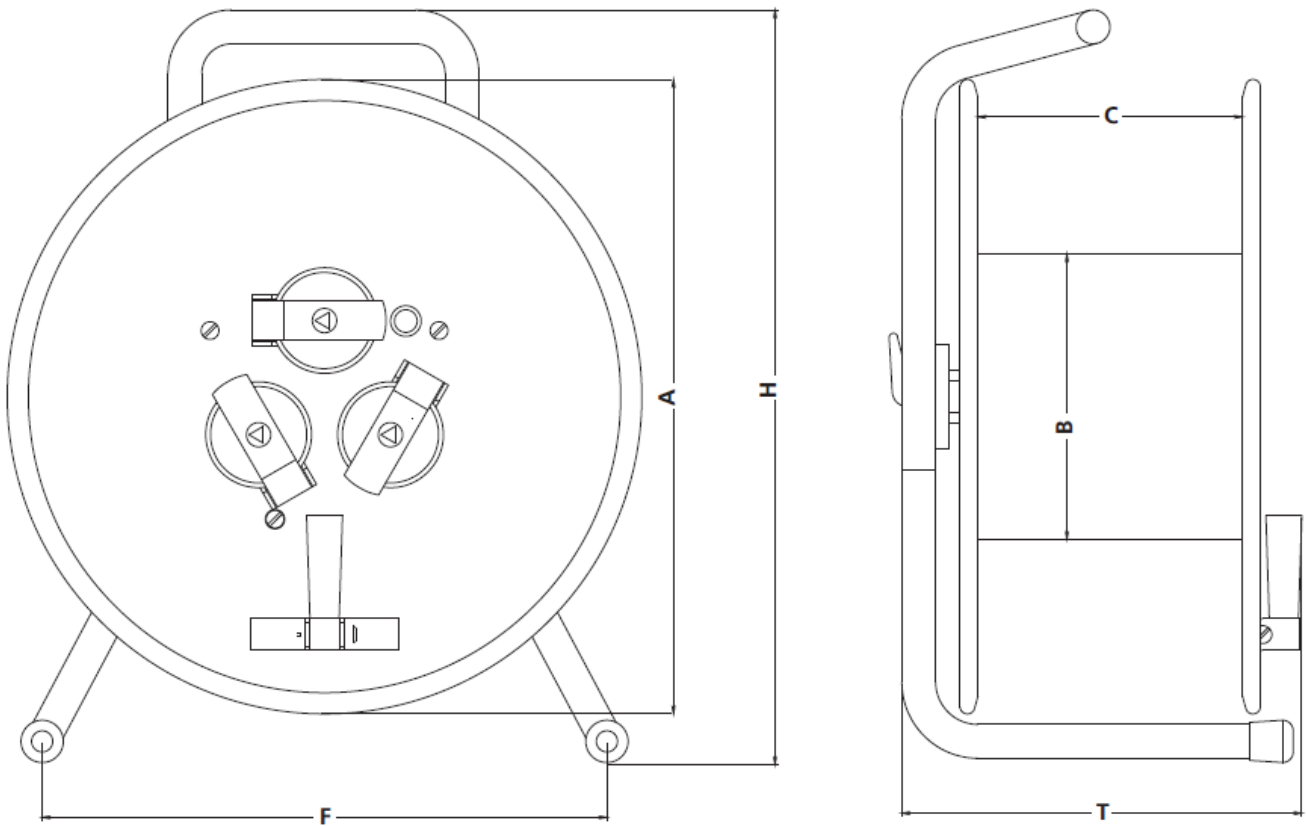


35-5011 CANFORD CABLE DRUM CD300



Measurements

| | mm | Inch |
|---|-----|-------|
| A | 300 | 11.81 |
| B | 135 | 5.31 |
| C | 125 | 4.92 |
| F | 265 | 10.43 |
| H | 365 | 14.37 |
| T | 200 | 7.87 |

Weight

| Kg | lb |
|------|------|
| 2.70 | 5.95 |

