



customconsoles

## Height adjustable Media Desk – the ergonomic solution



▶ **Media Desk:**

Designed to provide an ergonomic adjustable working environment for computer workstations allowing the user to make adjustments to suit their individual needs, and in addition vary their posture throughout the working day.

▶ **Quality Engineering:**

Aesthetically pleasing aluminium extrusions that combines strength with lightness, for lifetime durability.

▶ **Industry Standards:**

The Media Desk achieves the following standards:  
BS EN ISO9241-5 Ergonomic requirements.  
BS EN 527-1 Dimensional requirements.  
BS4875-5,6,and 7 Structural integrity.

▶ **Availability:**

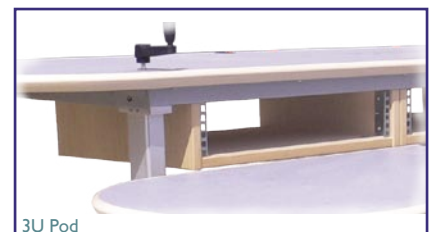
Built at our UK manufacturing facility, we can meet prompt delivery schedules across the Media Desk range with typical lead times of 7-10 working days.

▶ **Additional Features:**

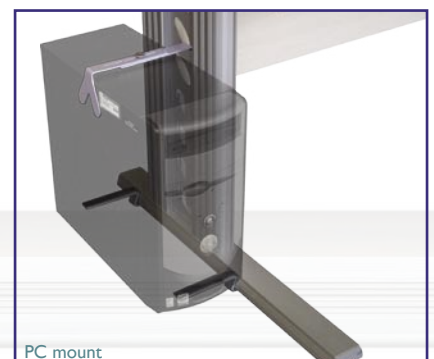
Includes integral cable management and options for 19" 13U pedestal, 3U under-shelf equipment mounting and PC mounting kit



13U Pedestal



3U Pod



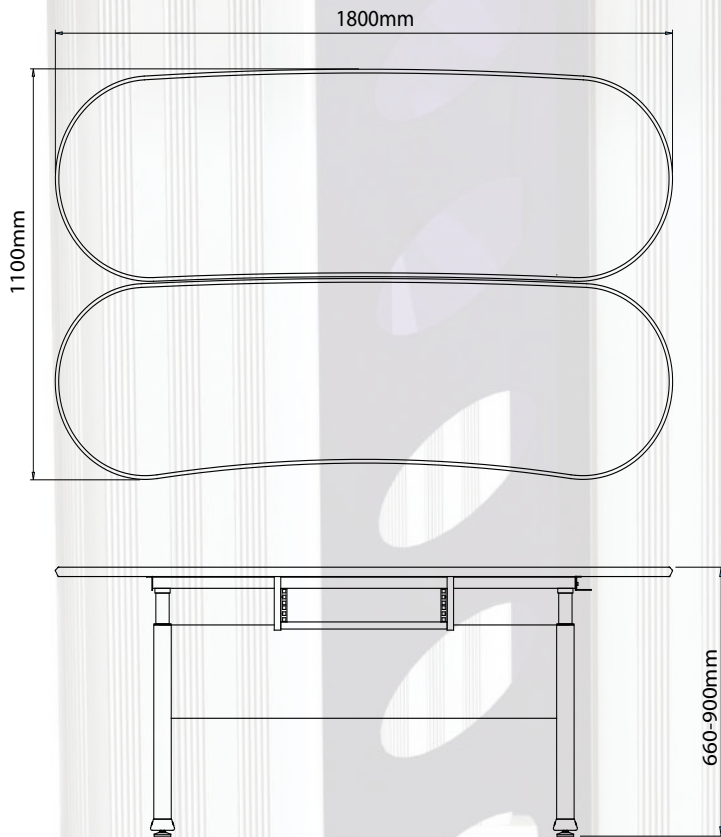
PC mount

For more information on Media Desk and associated products please call sales on +44 (0)1525 379909

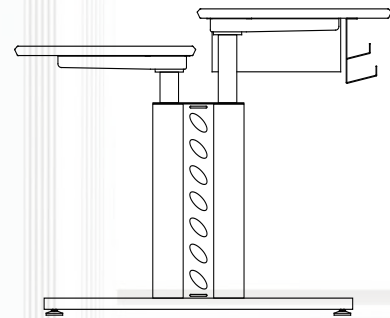
c u s t o m c o n s o l e s . c o . u k

# Technical Information

## Datasheet: MD5000A



Dual height adjustable Media Desk  
Order code MD5100



### ▶ Ergonomics:

Dual height adjustable work surfaces adjustment with the retractable telescopic winding handle that can be parked once a comfortable working height has been set.

### ▶ Finish:

Media Desk is constructed using our proven M-Desk silver extruded aluminium desk legs with the work surfaces finished in Arabesque marmoleum with maple pods and modesty panel.

The 19" 13U pedestal is also constructed using extruded pillars with maple infills.

### ▶ After Sales:

Media Desk is guaranteed against component failure for 5 years during normal use.

Design and specifications subject to changes without notice.

### Accessories

|                   |               |
|-------------------|---------------|
| 13U Pedestal      | MD5200        |
| *3U Equipment Pod | MD5300        |
| PC mount          | Part No 3900A |

\* Single under shelf pod can mount centrally as shown above, Alternatively 2 can be fitted side by side as shown on reverse side.