



DNH

HEAD OFFICE, NORWAY

DNH AS

Phone..... + 47 35 98 56 00

Fax..... + 47 35 98 56 10

E-mail..... dnh@dnh.no

Web-Site..... www.dnh.no

ENGLAND

DNH WW Ltd

Phone..... + 44 1908 275 000

Fax..... + 44 1908 275 100

E-mail..... dnh@dnh.co.uk

GERMANY

DNH GmbH

Phone... + 49 040 6569 30-0

Fax..... + 49 040 6569 30-30

E-mail..... dnh@dnh.de

USA

DNH Speakers Inc

Phone..... + 1 484 494 5790

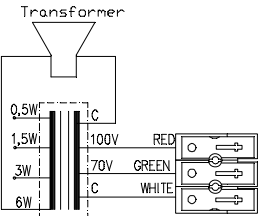
Fax..... + 1 484 494 5793

E-mail..... dnh@dnhspeakers.com

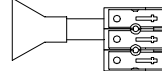
ISO 9001 CERTIFIED

BPF-560CR(T)

CIRCUIT DIAGRAM



Low Impedance



70/100 Volt combined transformer
Primary connections

White : Green 70 V

White : Red 100 V

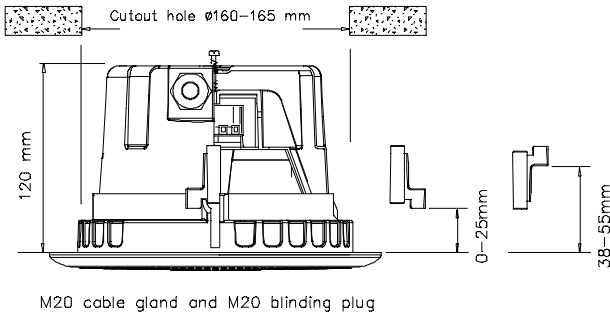
Secondary nominal tapings

C : 6W 6,0 W

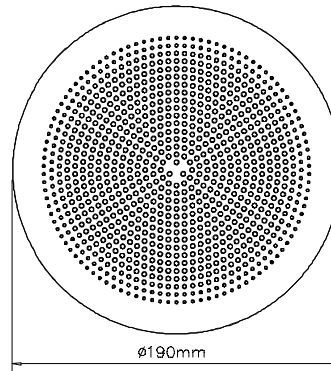
C : 3W 3,0 W

C : 1,5W 1,5 W

C : 0,5W 0,5 W

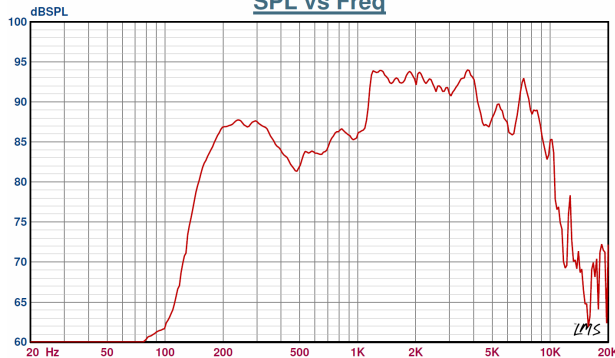


M20 cable gland and M20 blinding plug



Sound pressure levels at 1W/1m

SPL vs Freq



Specifications

Material / Color	PA / ABS / RAL9010
Mounting	Hooks
Termination	Spring clamp
Weight w/transformer	0,9 kg
IP-rating	31
Max. / min. amb. temp	90°C / -20°C
Rated power	6W
SPL 1W/1m	88 dB
SPL rated power	95 dB
Effective freq. range	150 – 11000 Hz
Dispersion (-6dB) 1kHz / 4kHz	170° / 60°
Options	Impedances, colors, labels

Installation, Operation and Maintenance Procedures

- Install ring into the cutout hole turning the screws connected to the three hooks, screw clockwise until the ring is fixed to the ceiling.
- Hooks can be mounted both ways to fit the thickness of the roof, see drawing at top of the page.
- Remove box by one screw. Lead cable into the box, connect cable to terminal (70V or 100V) and select required tapping on the transformer.
- Install box by one screw. Turn the grill gently clockwise within the ring until it stops.
- BPF-560CR(T) is designed for clean room applications.
- For optimum performance, always use the correct voltage / power and operate within the frequency limits as stated.
- Do not open loudspeaker when energized.
- This loudspeaker is supplied with two years warranty against defective workmanship.

DNH reserves the right to alter specifications without notice.

