



# DNH

HEAD OFFICE, NORWAY

**DNH AS**

Phone..... + 47 35 98 56 00

Fax..... + 47 35 98 56 10

E-mail..... dnh@dnh.no

Web-Site..... www.dnh.no

ENGLAND

**DNH WW Ltd**

Phone..... + 44 1908 275 000

Fax..... + 44 1908 275 100

E-mail..... dnh@dnh.co.uk

GERMANY

**DNH GmbH**

Phone... + 49 040 6569 30-0

Fax..... + 49 040 6569 30-30

E-mail..... dnh@dnh.de

USA

**DNH Speakers Inc**

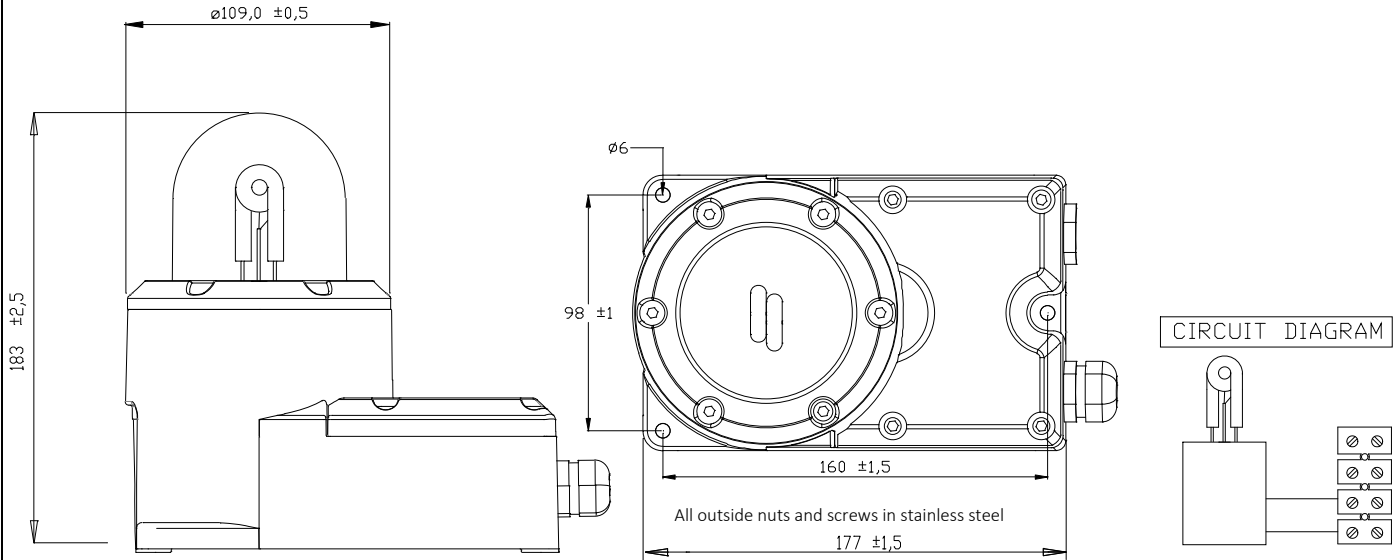
Phone..... + 1 484 494 5790

Fax..... + 1 484 494 5793

E-mail. dnh@dnhspeakers.com

## BS-21

ISO 9001 CERTIFIED



### Specifications

<b>Material / Color</b>	Aluminum alloy / RAL 7035		<b>Lamp type</b>	Xenon	
<b>Mounting</b>	Screws		<b>Cable entries</b>	M20	
<b>Termination</b>	Screw terminal		<b>Lens colors</b>	Clear, Red, Amber, Green, Blue	
<b>IP-rating</b>	66		<b>Weight</b>	2,4 kg	
<b>Max. / min. amb. temp</b>	58°C / -50°C		<b>Flash rate</b>	1 Hz	
<b>Rated energy</b>	21 Joule		<b>Dome</b>	Borosilicate glass	
<b>Max voltage DC</b>	48V		<b>Max voltage AC</b>	230V (50-60Hz)	
<b>Rated current 24V Dc</b>	<b>Average</b>	<b>Max</b>	<b>Rated current 115V Ac</b>	<b>Average</b>	<b>Max/Inrush</b>
	0,625A	2,9A		0,350A	1,6A
<b>Rated current 48V Dc</b>	<b>Average</b>	<b>Max</b>	<b>Rated current 230V Ac</b>	<b>Average</b>	<b>Max</b>
	0,375A	1,9A		0,220A	1,2A
<b>Luminous intensity</b>	Between 300 and 400 candelas				

### Installation, Operation and Maintenance Procedures

- Secure the BS-21 Flashlight to ceiling or wall with three screws.
- Termination is accessed in e-chamber, by removing aluminum lid fastened with four screws.
- Be sure that the BS-21 is connected to the correct voltage, and current stated on labels on the model.
- The lid screws for the termination chamber should be fastened with a torque of 2 Nm to assure the IP-rating.
- Use only correctly certified cable glands/bling plugs. Reflecting the same IP & temperature specifications as stated on the label.
- Outside earthing: Use enclosed pan/washer. Min 4mm<sup>2</sup> wire.
- Inside earthing: Use marked earth screw. Min.cross section equal to one of the wires on incoming cable.
- Delivered with 2 x M20 blanking plugs.
- WARNING: Do not open this product when it is energized.
- Do not operate the product more than four hours continuously.
- This product is supplied with two years warranty against defective materials and workmanship.

DNH reserves the right to alter specifications without notice.

