



USB 3.2 Gen1 4-Port Extender Kit, 100m

500530

Overview

The USB 3.2 Gen1 4-Port Extender Kit, 100m (model: 500530) enables USB 3.2 Gen1 connectivity at data rates up to 5Gbps & extends true USB up to 100m (328ft) over standard Cat6a UTP. Transmitter features with one USB 3.2 Gen1 Type B input, one FSYSNC GPIO input and one RS-232 pass-through. Receiver features with four USB 3.2 Gen1 Type A outputs, one FSYSNC GPIO output and one RS-232 pass-through. The device also supports 24V Bi-directional PoC.

The USB 3.2 Gen1 4-Port Extender Kit, 100m is true plug and play, requires no additional software drivers, and is compatible with all major operating systems. The unit supports a wide variety of USB extension applications including security, industrial control, digital signage, scientific data acquisition and other implementations of USB standards.

Applications

- Conference Rooms
- Classroom Projector Systems
- Collaborative PC Systems
- Digital Signage
- Educational Institutions
- Boardroom Systems

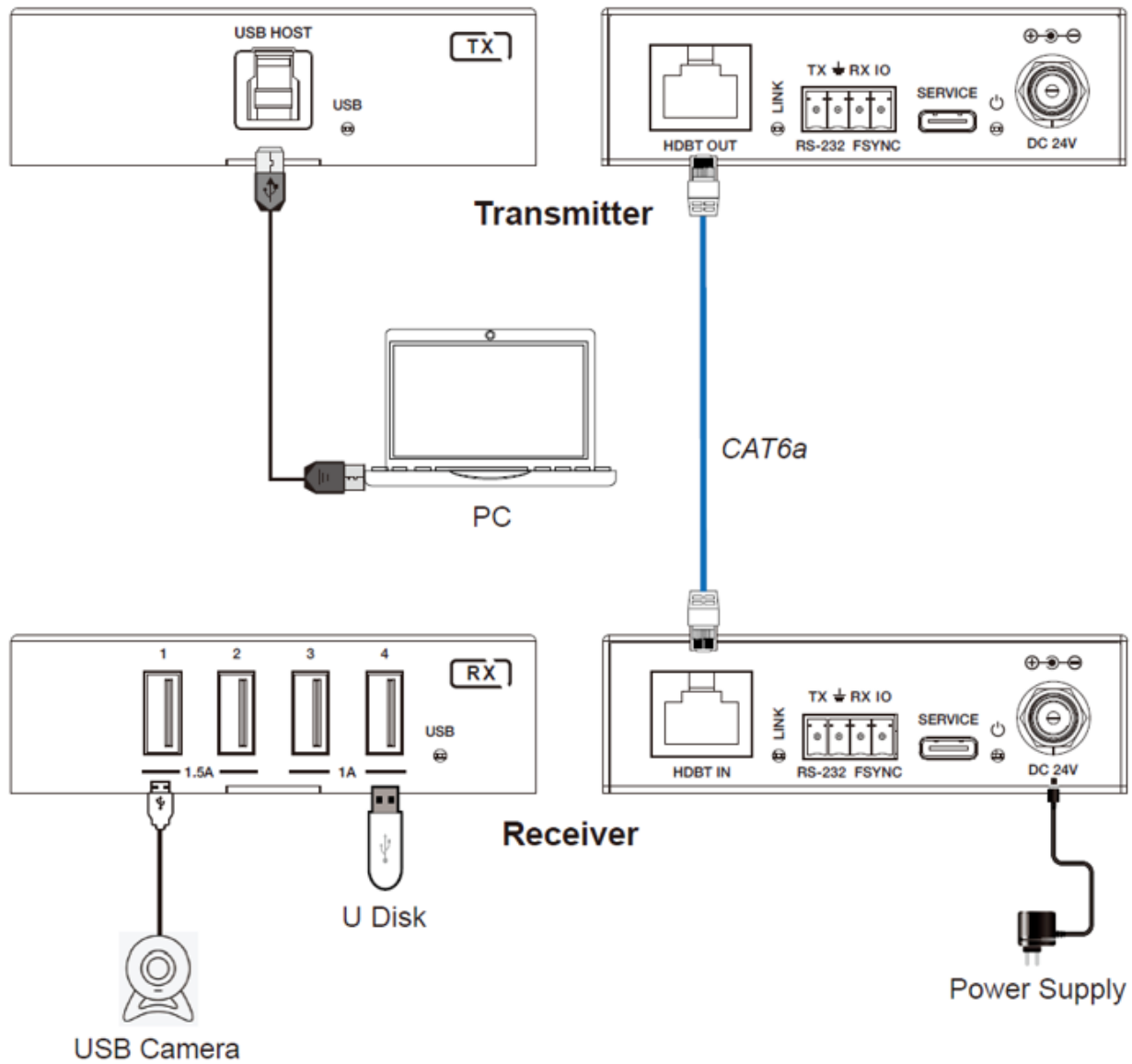
Key Features

- Extension of USB 3.2 Gen1 up to 100m/328ft over CAT6a cable
- USB 3.2 Gen1 connectivity with data transfer rate up to 5Gbps
- Backwards compatible with USB 2.0 and USB 1.1
- Hardware acceleration for isochronous and bulk transfer
- USB-A port 1 and 2 support 5VDC/1.5A, port 3 and 4 support 5VDC/1A on the Receiver
- Support RS-232 pass-through and FSYSNC GPIO pass-through (for industry camera use)
- Support bi-directional 24VDC PoC
- Simple plug and play, no driver and setting installation required

Specification

Technical	
USB Protocol	USB 3.2 Gen1
Transmission Rate	Up to 5Gbps
Network Bandwidth	10G
Transmission Distance	100m/328ft over CAT6a (F/FTP) cable
ESD Protection	IEC 61000-4-2: ±8kV (Air-gap discharge), ±4kV (Contact discharge)
Connection	
Transmitter	Input: 1 × USB HOST [USB-B, 9pin Female] Output: 1 × HDBT OUT [RJ45, Female] Control: 1 × RS-232 [3pin-3.5mm Phoenix Connector] 1 × FSYNC [1pin-3.5mm Phoenix Connector] 1 × SERVICE [USB-C, Update Port]
Receiver	Input: 1 × HDBT IN [RJ45, Female] Output: 4 × USB Devices [USB-A, 9pin Female] Control: 1 × RS-232 [3pin-3.5mm Phoenix Connector] 1 × FSYNC [1pin-3.5mm Phoenix Connector] 1 × SERVICE [USB-C, Update Port]
Mechanical	
Housing	Metal Enclosure
Color	Black
Dimensions	Transmitter / Receiver: 85mm [W] × 100mm [D] × 25.5mm [H]
Weight	Transmitter: 253g, Receiver: 260g
Power Supply	Input: 100~240VAC 50/60Hz Output: 24VDC/2A
Power Consumption	PoC Power Supply: 40W (Max)
Operating Temperature	0°C ~ 40°C / 32°F ~ 104°F
Storage Temperature	-20°C ~ 60°C / -4°F ~ 140°F
Relative Humidity	20~90% RH (non-condensing)
Generic Specification	
Warranty	2 years
Order Information	500530 USB 3.2 Gen1 4-Port Extender Kit, 100m (UPC: 627699005309)

Application Example



USB 3.2 Gen1 4-Port Extender Kit, 100m
500530

Follow us:    

2321 Cohen | St-Laurent , H4R 2N7 | Québec, Canada Tel: 514-905-0588 | Fax:
514-905-0589 | Toll free: 1-877-689-5228 info@muxlab.com |
salesteam@muxlab.com | www.muxlab.com