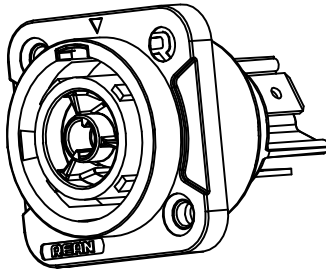
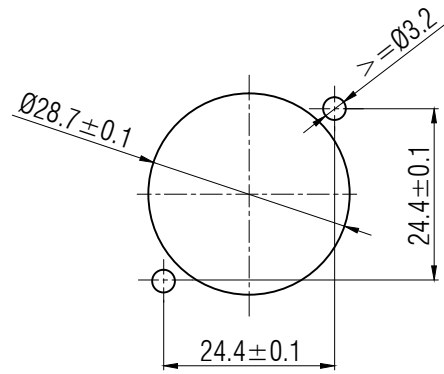


Panel cut out (Rear side)



- Note:
1. All dimensions in mm.
  2. Tolerances not specified is ±0.20mm.

THIS DOCUMENT IS THE PROPERTY OF NEUTRIK. NO PART THEREOF MAY BE REPRODUCED AND USED WITHOUT THE PRIOR WRITTEN CONSENT OF THE OWNER				Material:	Scale:  1 : 1 (A4)	Date:	Name:	
						Designer:	2021.12.29	Jessica
Title:  RRAC3F-X-000						Checked:	2021.12.29	Rex
						Approved:		
Rev.				Revision Details		Replaced By:		1
						Replaces:		1
				REAN		Drawing No.: 3.663.032		